

Traliccio chiuso

Standard double U-bolt

Etrier double fermé

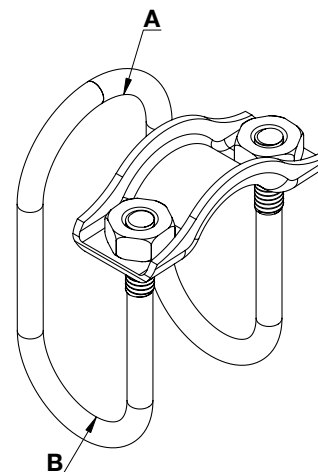
Kreuzbügel, geschlossen

Abrazadera de varilla cerrada



CODICE CODE CODE ARTIKEL-NR. CÓDIGO	DIAMETRI DIAMETERS DIAMETRES DURCHMESSER DIÁMETROS		DADI NUTS ECROUS MUTTERN TUERCAS		QUANTITÀ MINIMA MINIMUM QUANTITY QUANTITE MINIMALE MINDESTBESTELLMENGE CANTIDAD MÍNIMA
---	--	--	--	--	--

	A	B	A	B	n° 2	n°
91000013	1/2" x 1/2"	(21 x 21)	M8			100
91000023	3/4" x 3/4"	(27 x 27)	M8			100
91000033	3/4" x 1"	(27 x 33)	M8			100
91000043	3/4" x 2"	(27 x 60)	M8			100
91000053	3/4" x 75	(27 x 75)	M8			100
91000303	3/4" x 2"1/2	(27 x 76)	M8			-
91000313	3/4" x 80	(27 X 80)	M8			-
91000363	3/4" x 90	(27 x 90)	M8			100
91000063	1" x 1"	(33 x 33)	M8			100
91000073	1" x 1"1/4	(33 x 42)	M8			100
91000083	1" x 1"1/2	(33 x 48)	M8			100
91000093	1" x 2"	(33 x 60)	M8			100
91000293	1" x 70	(33 x 70)	M8			-
91000283	1" x 72	(33 x 72)	M8			-
91000113	1" x 2"1/2	(33 x 76)	M8			-
91000343	1" X 80	(33 x 80)	M8			-
91000123	1" x 90	(33 x 90)	M8			-
91000133	1"1/4 x 1"1/4	(42 x 42)	M10			50
91000143	1"1/4 x 1"1/2	(42 x 48)	M10			50
91000153	1"1/4 x 2"	(42 x 60)	M10			50
91000163	1"1/2 x 1"1/2	(48 x 48)	M10			50
91000173	1"1/2 x 2"	(48 x 60)	M10			50
91000383	1"1/2 x 2"1/2	(48 x 76)	M10			-
91000183	2" x 3/4"	(60 x 27)	M8			100
91000373	2" x 1"	(60 x 33)	M8			100
91000393	2" x 1"1/2	(60 x 48)	M10			-
91000193	2" x 2"	(60 x 60)	M10			50
91000403	2" x 3"	(60 x 89)	M10			-
91000353	2"1/2 x 1"1/2	(76 x 48)	M10			50
91000223	2"1/2 x 2"	(76 x 60)	M10			50
91000323	80 x 1"	(80 x 33)	M10			50
91000273		83 x 35	M8			-



Disponibili su richiesta misure personalizzate fino a 2"1/2 x 2"1/2 (76x76)

Special dimensions up to 2"1/2 x 2"1/2 (76x76) available on request

Dimensions personnalisées jusqu'à 2"1/2 x 2"1/2 (76x76) disponibles sur demande

Auf Anfrage Sonderabmessungen bis an 2"1/2 x 2"1/2 (76x76) vorhanden

Medidas especial hasta 2"1/2 x 2"1/2 (76x76) disponible si pedidas