

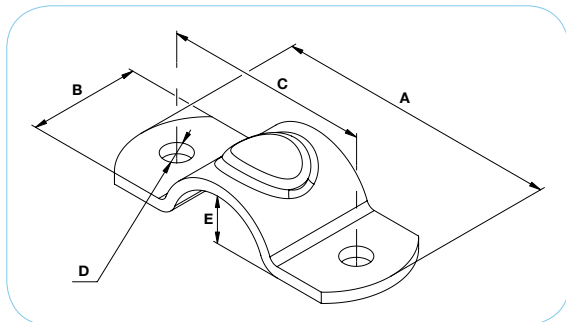
Cavalotto

Bracket

Bride de fixation

Halbschelle

Estribo



CODICE CODE CODE ARTIKEL-NR. CÓDIGO	DIAMETRO DIAMETER DIAMETRE DURCHMESSER DIÁMETRO	QUANTITÀ MINIMA MINIMUM QUANTITY QUANTITE MINIMALE MINDESTBESTELLMENGE CANTIDAD MÍNIMA	DIMENSIONI DIMENSIONS DIMENSIONS HAUPTABMESSUNGEN DIMENSIONES	FORI HOLES TROUS BOHRUNGEN AGUJEROS
		n°	A B C D E	n°
70300082	1" (33)	10	95 35 65 11 14	2
70300012	1"1/4 (42)	10	115 45 82 11 19	2
70300042	1"1/2 (48)	10	120 45 89 11 22	2
70300022	51	10	121 45 90 11 23	2
70300052	2" (60)	10	130 45 100 11 28	2
70300032	64	10	132 45 98 11 28	2
70300242	2"1/2 (76)	10	152 45 115 12 36	2
70300072	3" (89)	10	175 40 145 11 39	2
70300212	3"1/2 (102)	10	187 40 153 11 45	2
70300162	4" (114)	10	215 40 183 11 49	2
70300172	5" (140)	10	232 40 200 11 62	2
70300182	6" (168)	10	268 40 238 11 73	2
70300282	200	10	311 40 281 11 89	2
70300252	8" (219)	10	330 40 298 11 101	2
70300074	3" (89)	10	175 40 145 11 39	2
70300214	3"1/2 (102)	10	187 40 153 11 45	2
70300164	4" (114)	10	215 40 183 11 49	2
70300174	5" (140)	10	232 40 200 11 62	2
70300184	6" (168)	10	268 40 238 11 73	2
70300284	200	10	311 40 281 11 89	2
70300254	8" (219)	10	330 40 298 11 101	2

Inox
Stainless steel
Acier inox
Rostfreier Stahl
Acero inoxidable