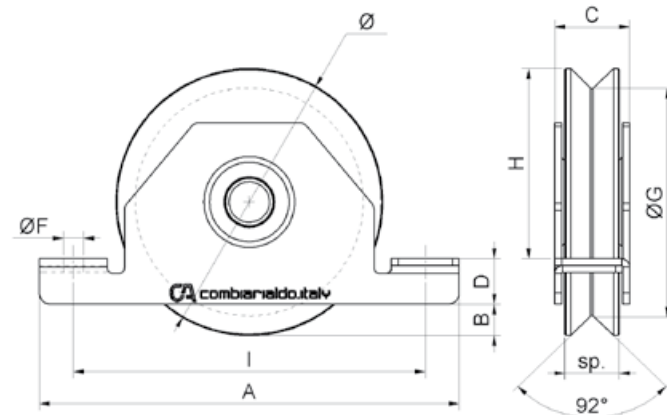


# art. 427

Ruota 1 cuscinetto gola V supporto interno  
 Wheel V groove bearing with inside support  
 колесо с внутренней опорой  
 в вырез 1 подшипник

Versione Inox/Stainless Steel pag.188



cod.	Ø	pz/pcs	A	B	C	D	ØF	I	H	ØG	sp	cusc	binario	portata
427.60	60	12	110	7	24	15	Ø7	90	36	Ø46	17	1	-	100 kg.
427.70	70	6	135	7	33	17	Ø9	110	44	Ø52	20	1	art. 906	190 kg.
427.80	80	4	135	12	33	17	Ø9	110	49	Ø62	20	1	art. 906	200 kg.
427.90	90	6	155	9	33	18	Ø9	130	61	Ø72	21	1	art. 906	210 kg.
427.100	100	6	155	14	33	18	Ø9	130	66	Ø82	21	1	art. 906	230 kg.
427.120	120	6	185	14	32	20	Ø9	155	84	Ø100	24	1	art. 906	250 kg.
427.140	140	4	205	15	32	22	Ø11	175	100	Ø118	24	1	art. 906	280 kg.
427.160	160	2	225	20	37	24	Ø11	195	113	Ø138	25	1	art. 906	300 kg.