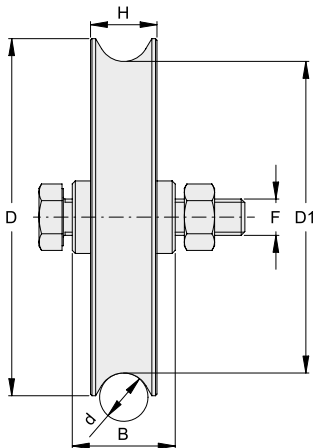




# RUOTA ZINCATA CON CUSCINETTO A SFERE GALVANIZED WHEEL WITH BEARINGS

Gola tonda  
Half-round groove



COD.	D	D1	d	B	H	F	Kg		
301/16	60	46	16	24	21	10	100	1	20
303/16	75	60	16	24	21	12	150	1	10
305/16	90	73.5	16	34	21	12	170	1	6
305/16.2	90	75	16	34	30	14	300	2	6
305/20	90	72	20	34	24	12	170	1	6
305/20.2	90	68	20	34	30	14	300	2	6
453	90	73.5	16	34	25	12	200	1	6
405/16	100	84.5	16	34	22	12	200	1	6
405/16.2	100	84.5	16	34	30	14	400	2	4
405/20	100	82	20	34	24	12	200	1	6
405/20.2	100	80	20	34	30	14	400	2	4
307/16	120	103.5	16	34	22	12	220	1	12
454	120	103	16	34	25	14	250	1	12
455	120	100	20	34	30	14	400	2	12
317/16	140	123	16	34	25	14	350	1	10
409/20	140	120	20	44	30	14	500	2	8
413/20	160	140	20	44	30	14	400	2	6
456	160	141	16	44	26	16	400	1	6
457	160	140	20	44	32	16	600	2	6
458	200	178.5	20	44	32	16	700	2	4