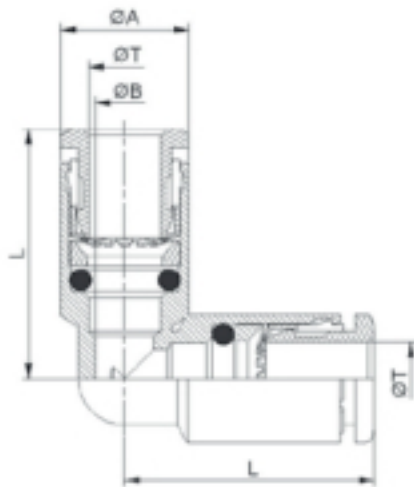


RT 54



L intermedio



L intermediate



Winkelverbinder



Raccord equerre



Racor a L intermedio

CODICE/CODE	$\varnothing T$	$\varnothing A$	$\varnothing B$	L	PEZZI/PIECES
RT540004	4	9	3	17,3	10
RT540006	6	11	5	20,6	10
RT540008	8	13	7	23	10
RT540010	10	16	8	26,4	10
RT540012	12	19	10	28,9	10
RT540014	14	21	12	31,5	10