

LION

COMPACT HYDRAULIC GATE CLOSER



The Lion gate closer has an aesthetic look, compact design and guarantees a secure closure over the full 180°. Lion closes comfortably thanks to the extremely accurate adjustment of speed and latching action. Combined with the patented temperature compensation system, a constant closing speed from -30° up to +70° is guaranteed.



STAINLESS STEEL

500.000 TESTED

3 YEAR WARRANTY

- ✓ COMPACT & AESTHETIC DESIGN
- ✓ AUTOMATIC 180° CLOSING
- ✓ LEFT & RIGHT MOUNTING
- ✓ ADJUSTABLE SPEED & FINAL SNAP
- ✓ 100% WEATHERPROOF
- ✓ EXCELLENT QUALITY



Modularity



Ease of Installation

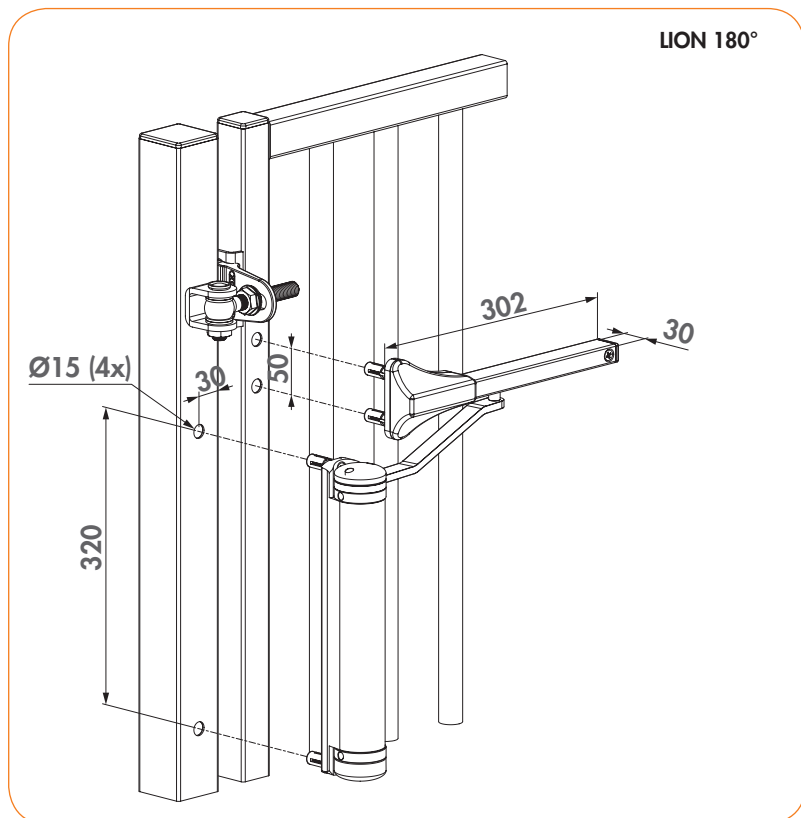
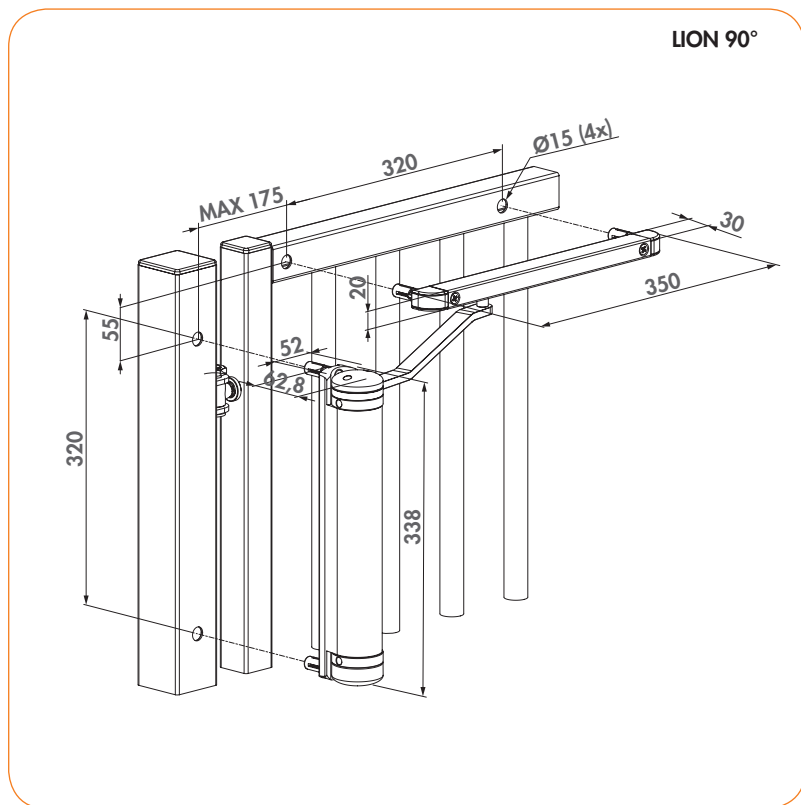


Trusted Quality



Full Support

TECHNICAL DRAWINGS



CHARACTERISTICS

- Available in Silver & RAL9005
- Suitable for 90° and 180° gates
- For gates up to 75kg (max 1,1 m wide)
- Fast and easy fixing: Quick-Fix
- Easy left or right mounting
- Adjustable closing speed and final snap
- Extremely corrosion-resistant: aluminium powder-coated housing
- Tested from -30 °C up to +70°C
- Tested at 500.000 movements

2 RAILSETS INCLUDED



LOCINOX NV.
B2B-PORTAL
Fast and easy online ordering



INSTALL ULTRA FAST

Lion is very easy and very quick to install. Discover the video for a step-by-step installation on our website, or scan the QR code.